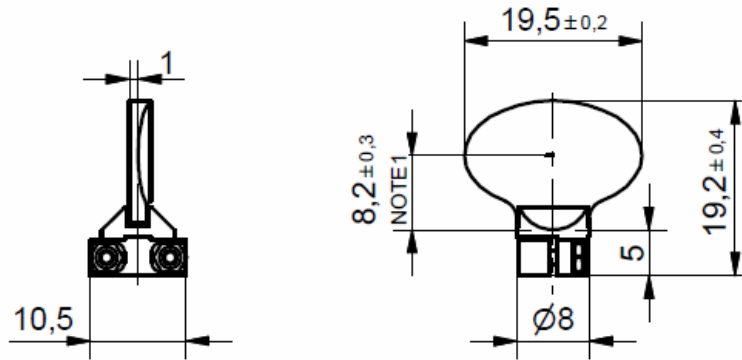


# x10G optoSiC+inclusiv glued SM-mount for 5 mm shaft

J = 0,40g\*cm<sup>2</sup>  
M = 2,29g



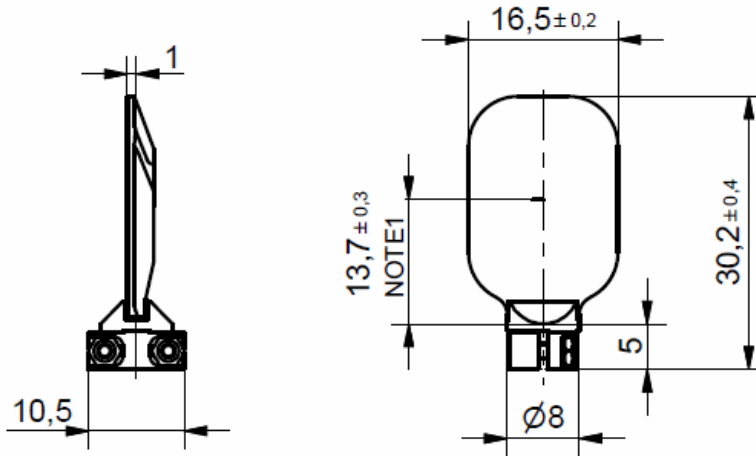
## Notes:

1. Dimension from end of the shaft to the center of the clear aperture.
2. Screw size = M1,6x6mm
3. Nut size = M1,6
3. Hex Key Size = 1,5mm
4. Recommended screw torque : 0,25Nm
5. Bore-Diameter 5H7



# y10G optoSiC+inclusiv glued SM-mount for 5 mm shaft

$J = 0,39g \cdot cm^2$   
 $M = 2,74g$



## Notes:

1. Dimension from end of the shaft to the center of the clear aperture.
2. Screw size = M1,6x6mm
3. Nut size = M1,6
3. Hex Key Size = 1,5mm
4. Recommended screw torque : 0,25Nm
5. Bore-Diameter 5H7

