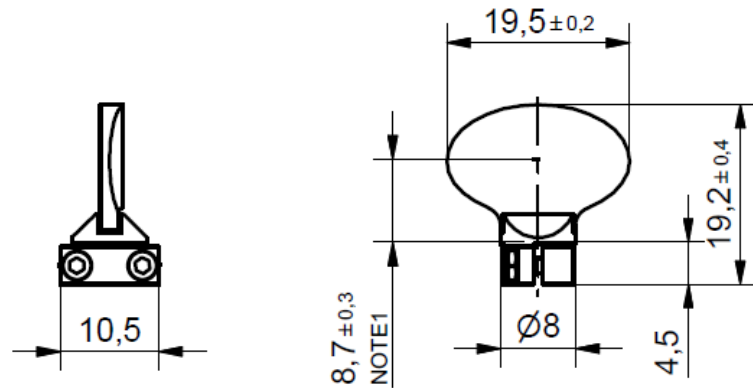


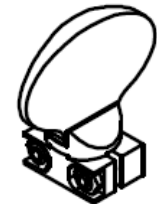
x10G optoSiC+inclusiv glued SM-mount for 3 mm shaft

$J = 0,40\text{g}\cdot\text{cm}^2$
 $M = 2,43\text{g}$



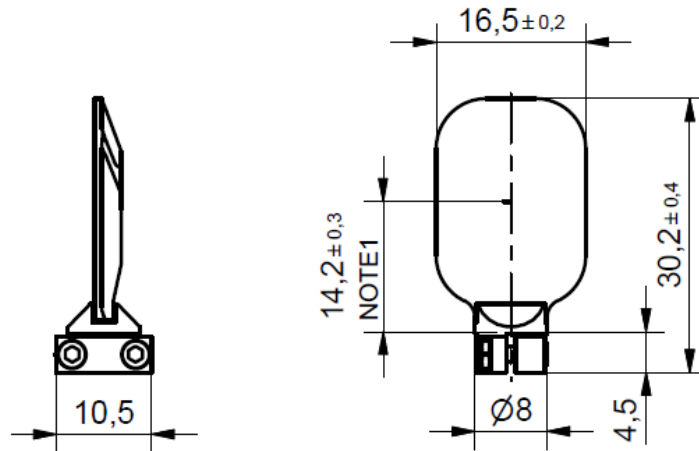
Notes:

1. Dimension from end of the shaft to the center of the clear aperture.
2. Screw size = M1,6x6mm
3. Nut size = M1,6
3. Hex Key Size = 1,5mm
4. Recommended screw torque : 0,25Nm
5. Bore-Diameter 3H7



y10G optoSiC+inclusiv glued SM-mount for 3 mm shaft

$J = 0,40g \cdot cm^2$
 $M = 2,88g$



Notes:

1. Dimension from end of the shaft to the center of the clear aperture.
2. Screw size = M1,6x6mm
3. Nut size = M1,6
3. Hex Key Size = 1,5mm
4. Recommended screw torque : 0,25Nm
5. Bore-Diameter 3H7

