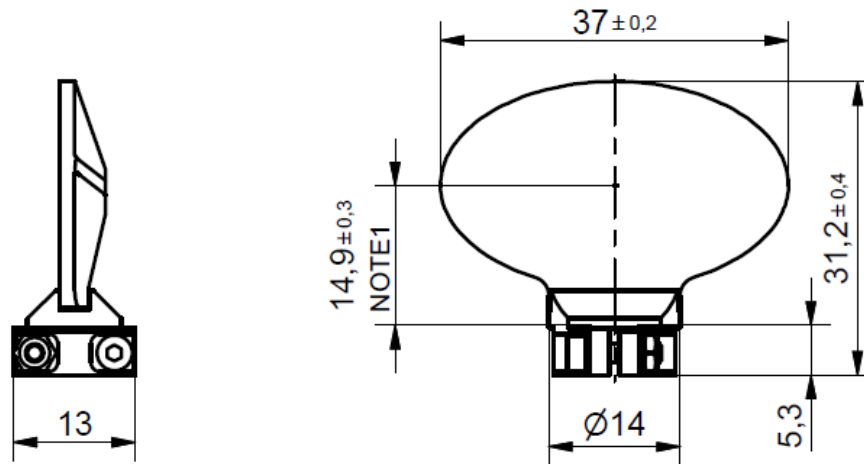


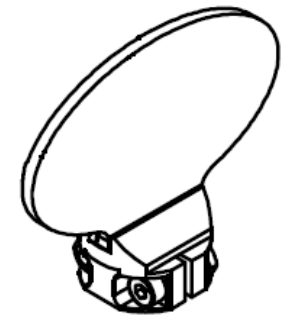
x20G optoSiC+inclusiv glued SM-mount for 5 mm shaft

J = 3,81g*cm²
M = 7,83g



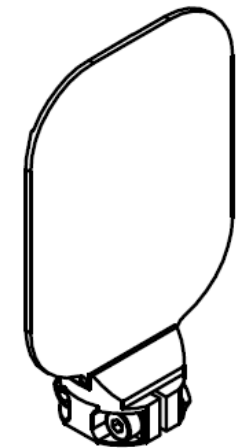
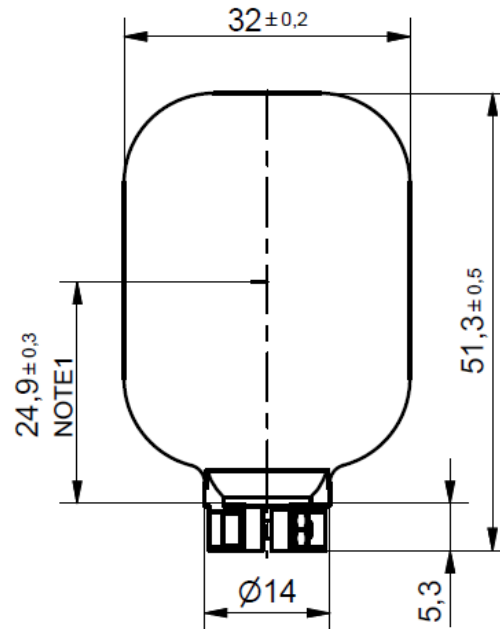
Notes:

1. Dimension from end of the shaft to the center of the clear aperture.
2. Screw size = M2x8mm
3. Nut size = M2
3. Hex Key Size = 1,5mm
4. Recommended screw torque : 0,6Nm
5. Bore-Diameter 5H7



y20G optoSiC+inclusiv glued SM-mount for 5 mm shaft

J = 3,81g*cm²
M = 9,56g



Notes:

1. Dimension from end of the shaft to the center of the clear aperture.
2. Screw size = M2x8mm
3. Nut size = M2
3. Hex Key Size = 1,5mm
4. Recommended screw torque : 0,6Nm
5. Bore-Diameter 5H7